



組裝說明書 Instruction Manual

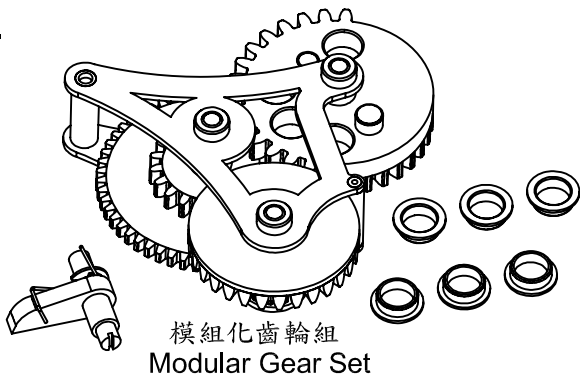
產品內容:

- 1) 模組化齒輪組(內含6顆硬化處理雙油溝襯套) *1
- 2) 專用襯套 *6
- 3) 專用逆止閥 *1
- 4) 高濃度鐵氟龍潤滑油 *1

Modular Gear Set Included:

- 1) Modular Gear Set with Tempered Stainless Bushes (Double Oil Grooves), 1 Set
- 2) Stainless Bushes, 6 pieces.
- 3) Anti-reversal Latch, 1 piece.
- 4) Synthetic Lubricant with PTFE, 1 piece.

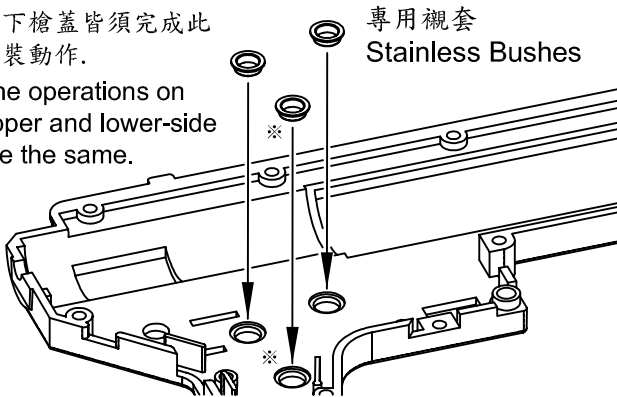
1.



2.

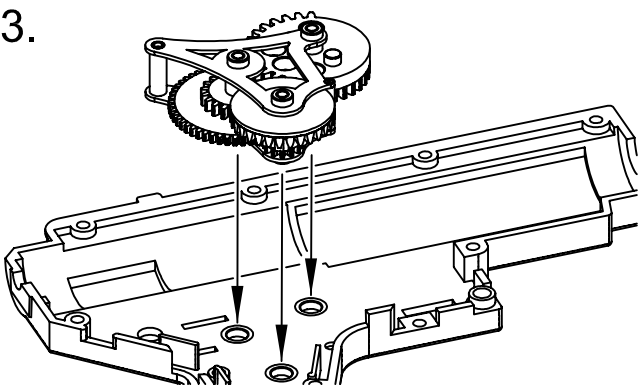
上下槍蓋皆須完成此安裝動作。

The operations on upper and lower-side are the same.

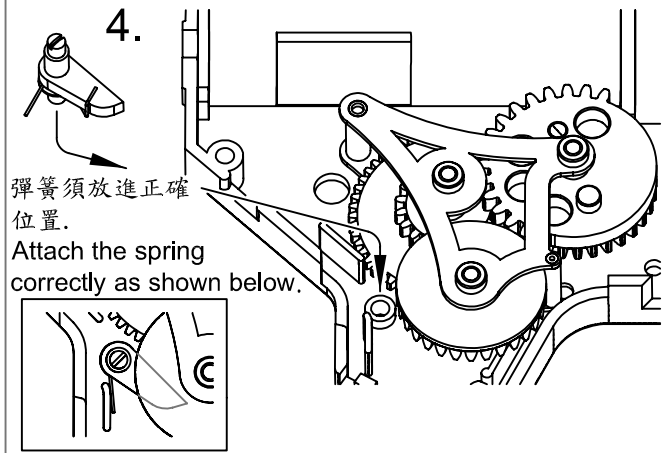


- ※ 使用"金弓"槍盒時,小齒孔位的專用襯套不需安裝.
- ※ Please do not install the stainless bushes for the Bevel Gear when use on J.G, echo1 gearbox.

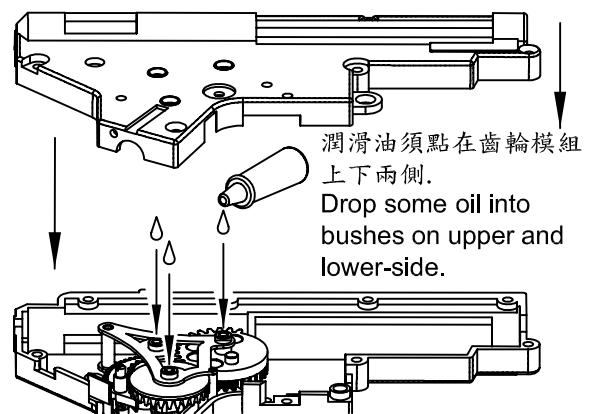
3.



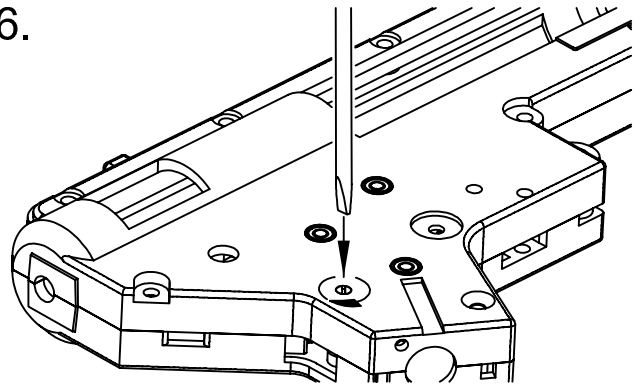
4.



5.



6.



保養步驟:

- 1) 使用一字小起子插入逆止閥溝槽, 往順時鐘方向轉約60度, 聽到彈簧釋放的聲音即完成.
- 2) 把模組化齒輪組往上提起, 即完成齒輪的拆除.
- 3) 把模組化齒輪組擦拭乾淨, 去除油漬, 在6顆超硬襯套與齒輪軸心之間各點上一滴高濃度鐵氟龍潤滑油, 轉動齒輪讓潤滑油滲入軸心與襯套, 即完成齒輪組的保養.

Maintain Tips:

- 1) Screw the anti-reversal latch with a screwdriver clockwise about 60 degrees to release the spring. When a spring is released, a release sound is output.
- 2) Remove the Modular Gear Set from the case.
- 3) Clean the Modular Gear Set and drop some oil onto the bushes, then turn around the gears and let the oil sink in. The shafts and the bushes will be oiled.